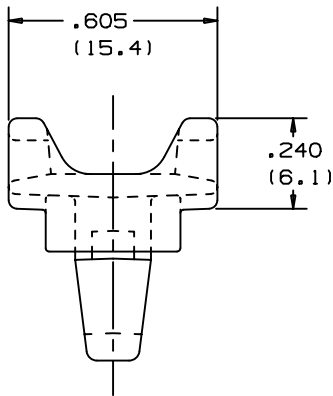
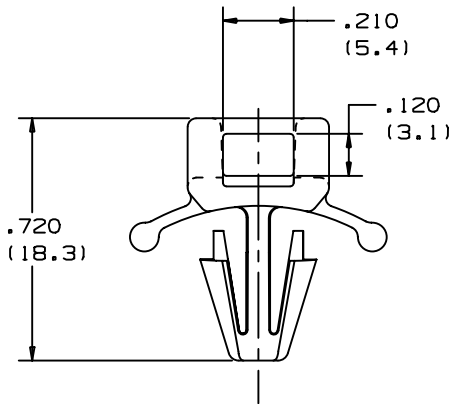
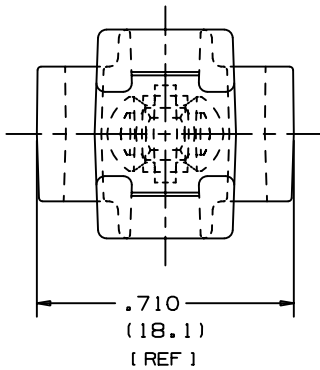


THIS COPY IS PROVIDED ON A RESTRICTED BASIS AND IS NOT TO BE USED IN ANY WAY DETRIMENTAL TO THE INTERESTS OF PANDUIT CORP.



PANDUIT PART NO. *	USE WITH CABLE TIES **	PANEL DIMENSIONS		WEIGHT LBS. / 100 PCS. (g)
		THICKNESS	HOLE SIZE	
TM2PWH25	M , I , S	.09 (2.3) MAX.	.25 (6.4)	.19 LBS. (85.6 g)

NOTES:

- * 1. SEE CURRENT PRICE SHEET FOR PART NUMBER SUFFIX DESIGNATION, PACKAGE SIZE, AND COLOR.
- ** 2. CABLE TIE CROSS SECTION CODE:
 M = MINIATURE
 I = INTERMEDIATE
 S = STANDARD
 LH = LIGHT HEAVY
 H = HEAVY

(DIMENSIONS IN PARENTHESIS ARE IN METRIC.)

CAD FILENAME/LAYERS G00239JJ_PB_TM2PWH25_00



CORP. TINLEY PARK, ILLINOIS

PUSH BARB TIE MOUNT
TM2PWH25

UNLESS OTHERWISE SPECIFIED,
DIMENSIONAL TOLERANCES ARE:
(.X) ±0.1 (2.5) (.XXX) ±0.020 (.5)
(.XX) ±0.05 (1.3) ANGLES ±5°

UNLESS OTHERWISE SPECIFIED,
ALL DIMENSIONS ARE GIVEN
IN INCHES, THIRD ANGLE PROJECTION.

DRAWN BY
LGG

MAT'L:

SCALE 2:1

DATE
9-4-02

NYLON 6/6

DRAWING NO.
GB0239JJ

DWG
A
SIZE

REV	DATE	BY	CHK	DESCRIPTION	ECN	R	CUST	SUP
R	9-4-02	LGG		INITIAL RELEASE. REPLACED G-02169	GB0239JJ	R		